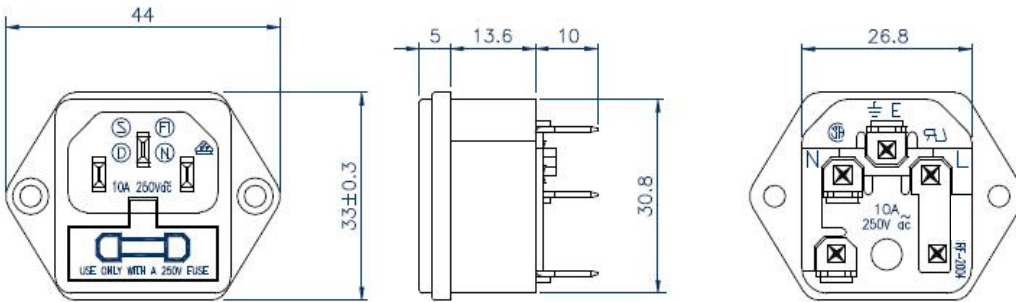
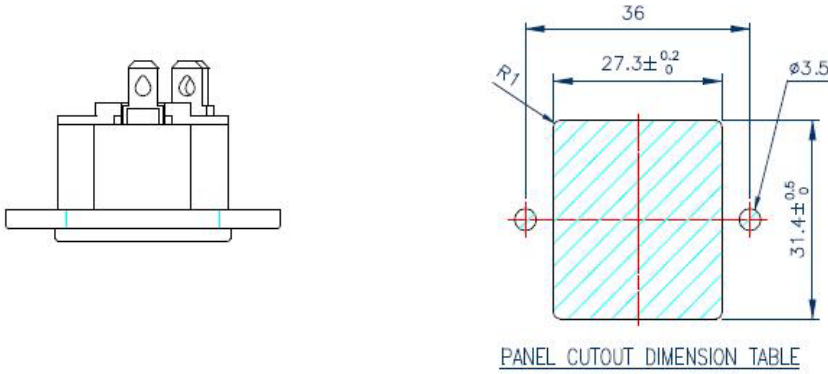


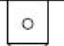
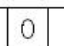


POWER INLET 5x20MM FUSE HOLDER

RF-2004-C



STANDART: IEC 320-1 C14
RATING :15A 250V AC
APPROVALS :UL/CSA
RATING :10A 250V AC
APPROVALS : UL/CSA/VDE/DEMKO/
NEMKO/SEMKO/FIMKO



RF-2004-C-	6.3	
	6.3	
	4.8	
	4.0	
	2.8	