

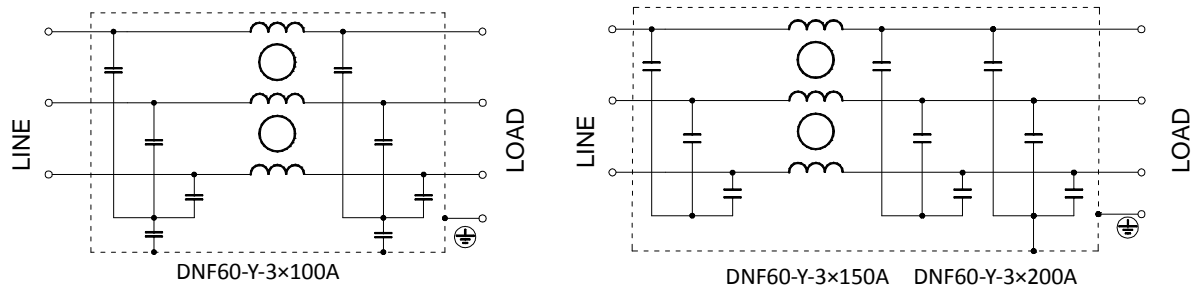
1 Features

- Excellent characteristics of electromagnetic interference suppression
- Appliance to Power Supply System of 3-phase 3-wire with 440V/50~60Hz
- Customization accepted

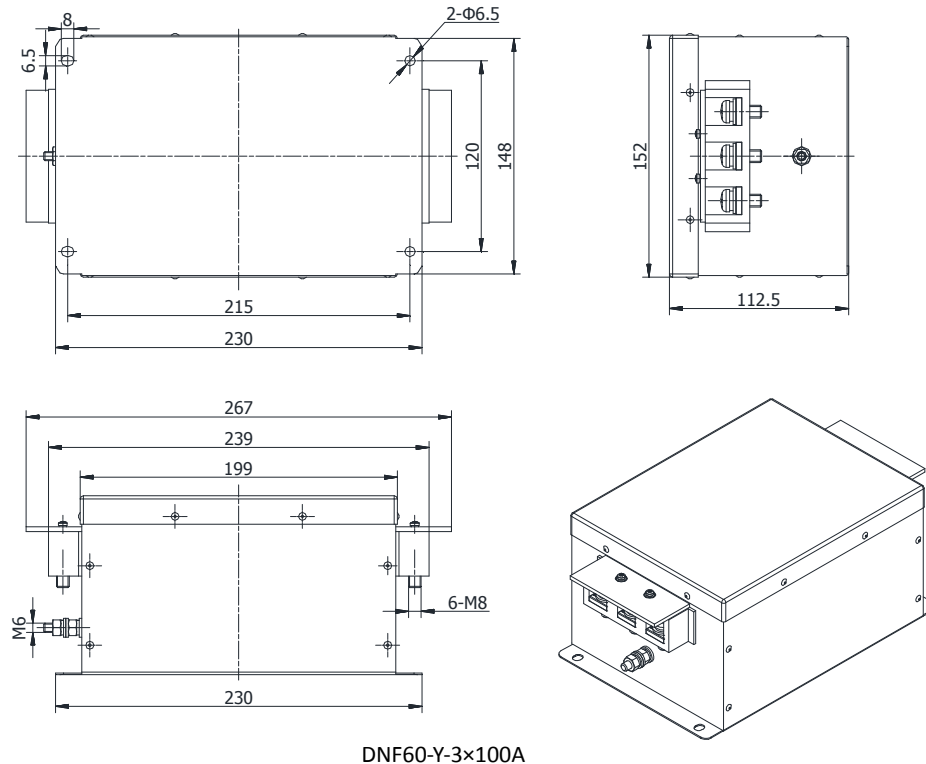
2 Technical Data

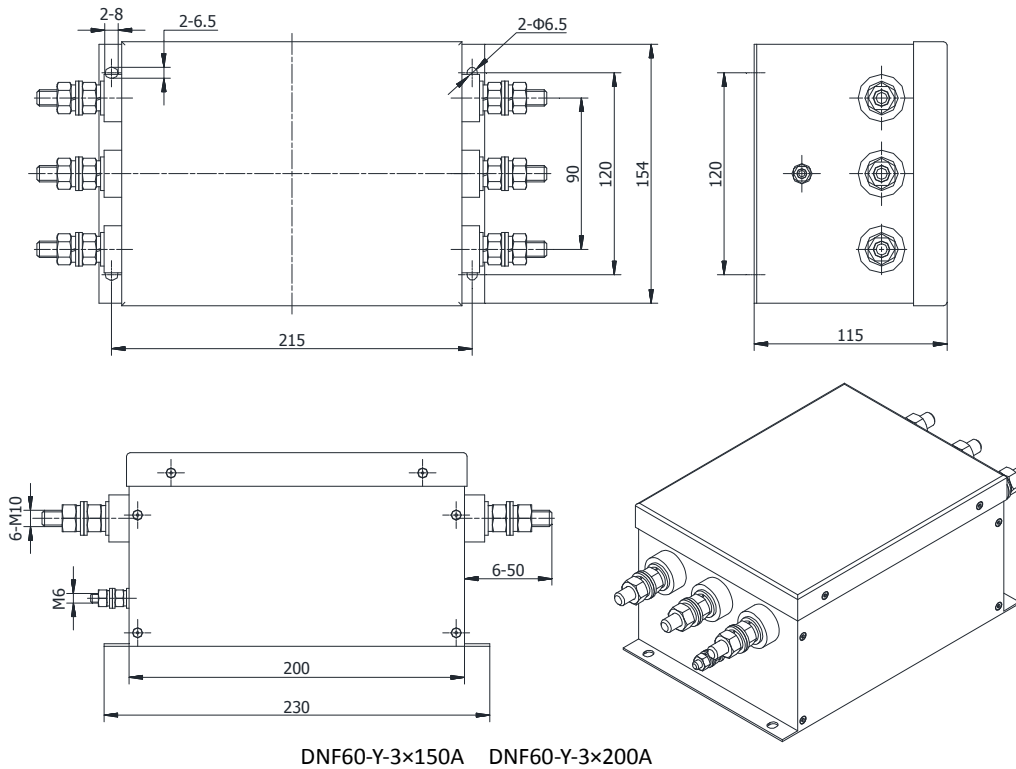
Type	Rated Voltage	Rated Current	Hi-Pot	
			Line-Line	Line-Ground
DNF60-Y-3×100A	440V-50/60Hz	100A	1800VDC,2s	1800V-50/60Hz,2s
DNF60-Y-3×150A	440V-50/60Hz	150A	2121VDC,2s	2850VDC,2s
DNF60-Y-3×200A	440V-50/60Hz	200A	2121VDC,2s	2850VDC,2s

3 Electrical Schematic

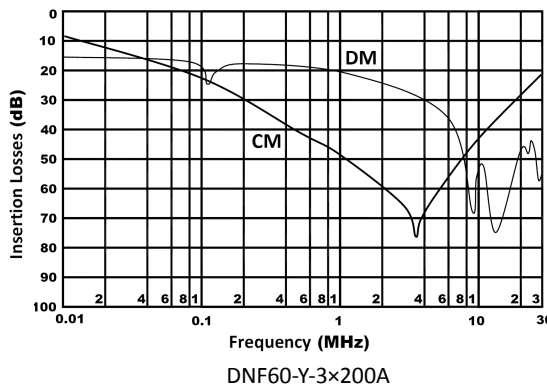
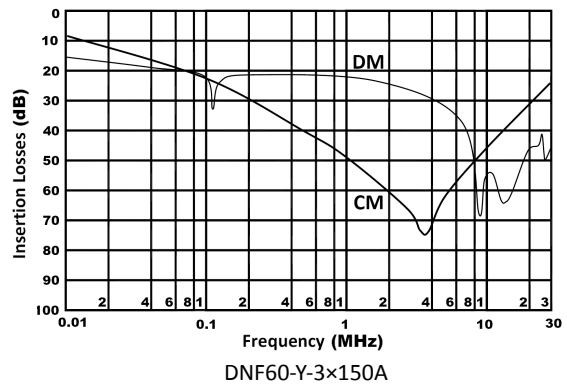
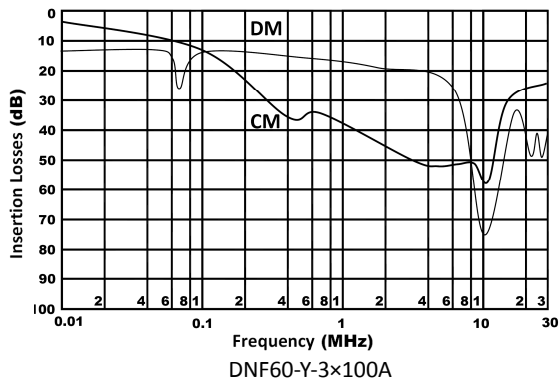


4 Dimensions (Unit: mm)





5 Typical Insertion Losses In 50Ω System: (CM-Common Mode DM-Different Mode)



6 Installation Instructions

- 1) Good electrical connection is needed between filter casing and equipment shell.
- 2) Connecting the filter's input and output according to the provision on the label of LINE and LOAD.
- 3) The input wiring and the output wiring should be strictly separated, cannot be bundled together.