

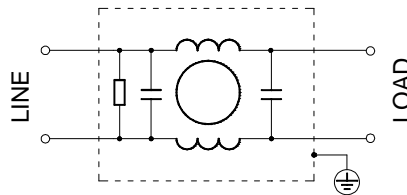
1 Features

- Applicable to medical electronics equipments, compact, easy to install
- Customization accepted

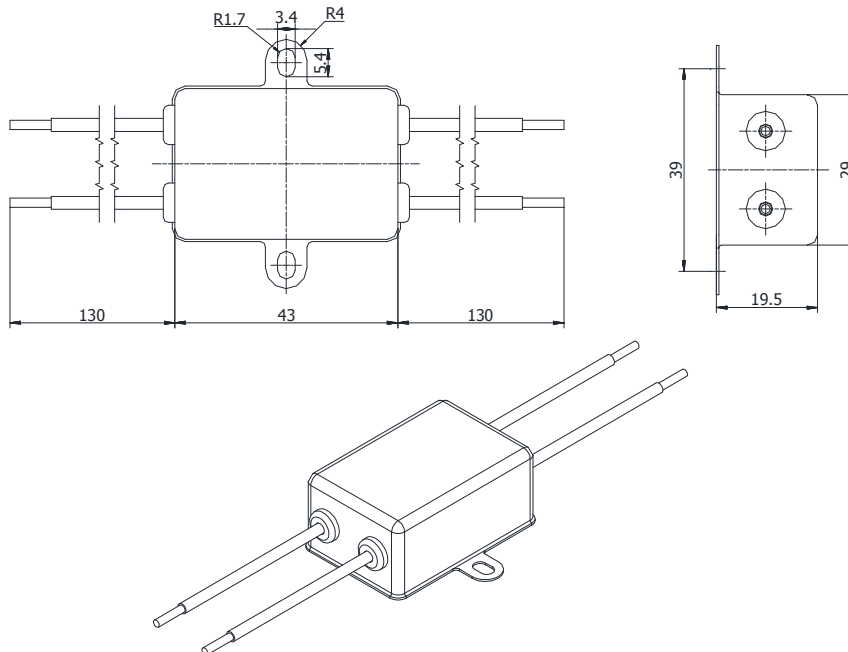
2 Technical Data

Type	Rated Voltage	Rated Current	Hi-Pot Test Voltage	
			Line-Line	Line-Ground
DNF225-YR-2A	250V-50/60Hz	2A	1800VDC,2s	1800V-50/60Hz,2s

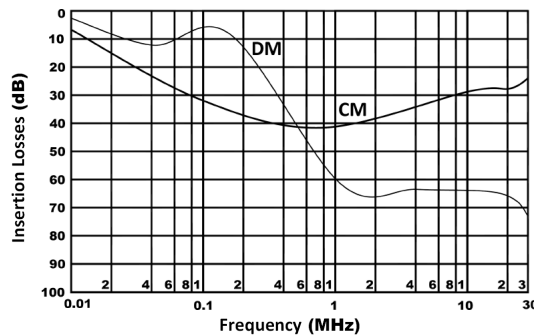
3 Electrical Schematic



4 Dimensions (Unit:mm)



5 Typical Insertion Losses In 50Ω System: (CM-Common Mode DM-Different Mode)



6 Installation Instructions

- 1) Good electrical connection is needed between filter casing and equipment shell.
- 2) Connecting the filter's input and output according to the provision on the label of LINE and LOAD.
- 3) The input wiring and the output wiring should be strictly separated, cannot be bundled together.